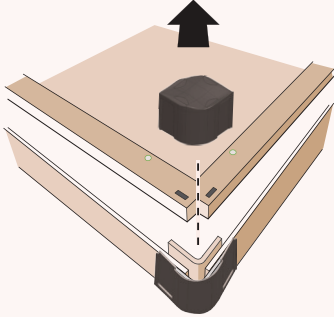


# THE ASSEMBLY INSTRUCTIONS

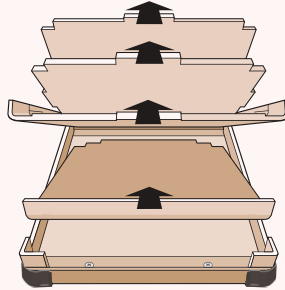
PUTTING IT  
*ALL together* 

----- IN SEVEN STEPS! -----

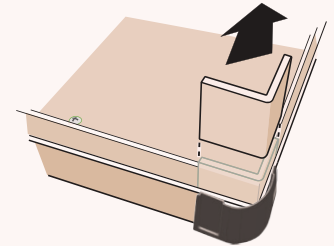
1. Slide the hub off each corner



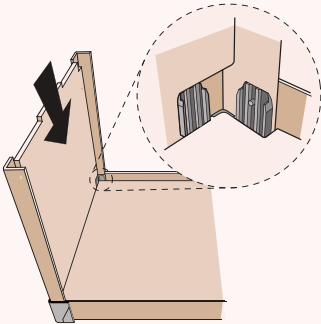
2. Remove side panels from the kübox



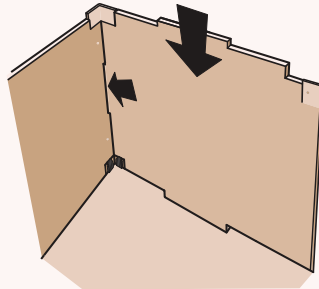
3. Remove the spacer from each corner



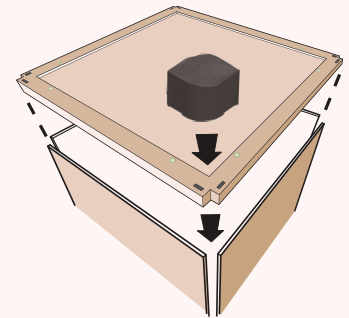
4. Insert the end panels into the base



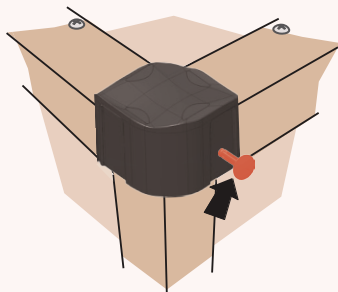
5. Fit the side panels into the kübox



6. Reattach the hub onto each corner



7. Insert a quick pin into each hub



kübox™